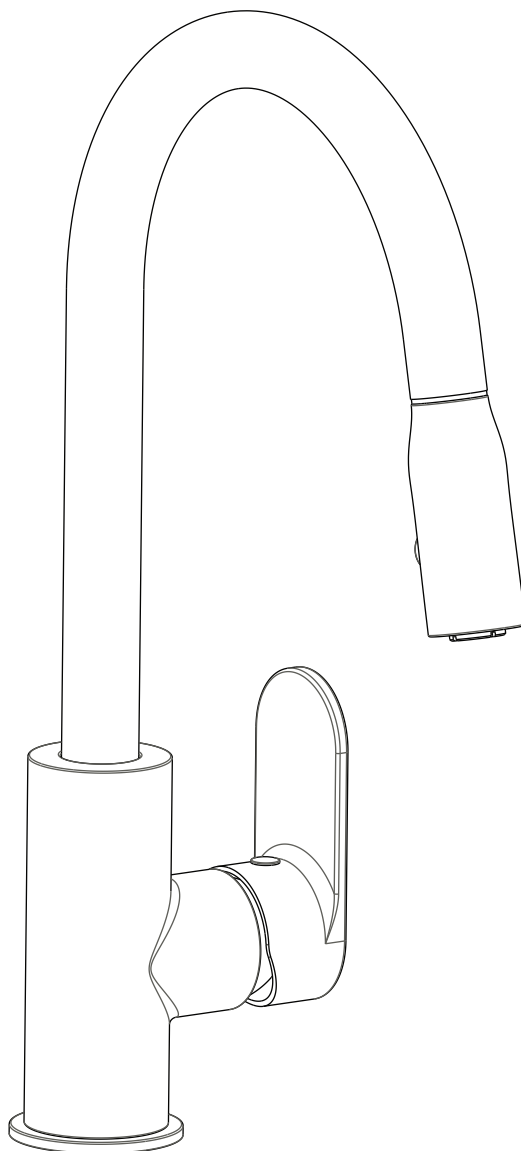
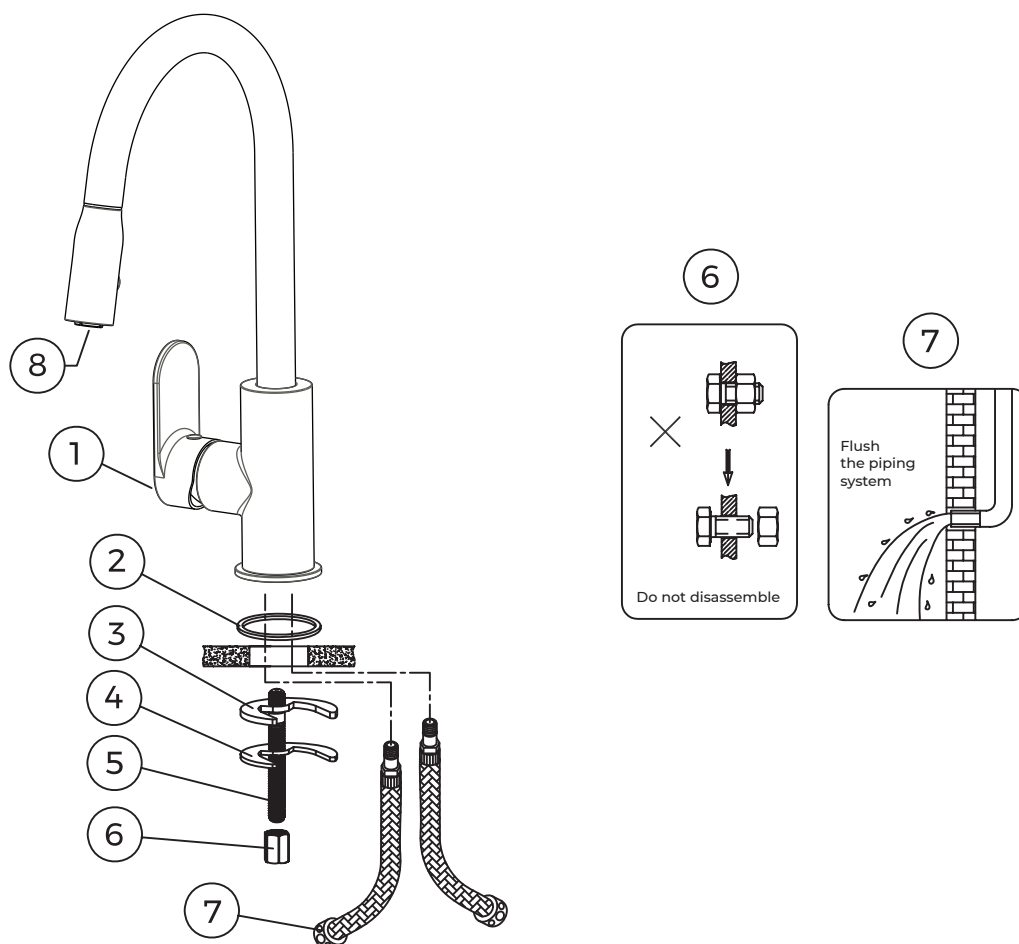


OLTENS



Lista

Single lever kitchen tap - fitting guide



Check the parts needed for the installation against the list:

NO.	PARTS LIST	QUANTITY
1	Single lever kitchen tap	1
2	Seal	1
3	C-shaped rubber washer	1
4	Stabiliser	1
5	Lock element	1
6	Nut	1
7	Tap tails	2
8	Aerator	1

Note! Accessories may change without affecting their function. The presented manufacturing drawings are for illustration purpose only. The size and shape of the tap depends on the selected tap model.

Installation procedure

- Do not disassemble the body of the tap, as it had been assembled, installed and checked before it was released by the manufacturer.
- To avoid damaging the tap, prior to installation the piping system should be flushed to remove any debris, such as sand, limescale and sludge.
- After the installation, please ensure that all connections are tight and there are no leaks.

Technical information

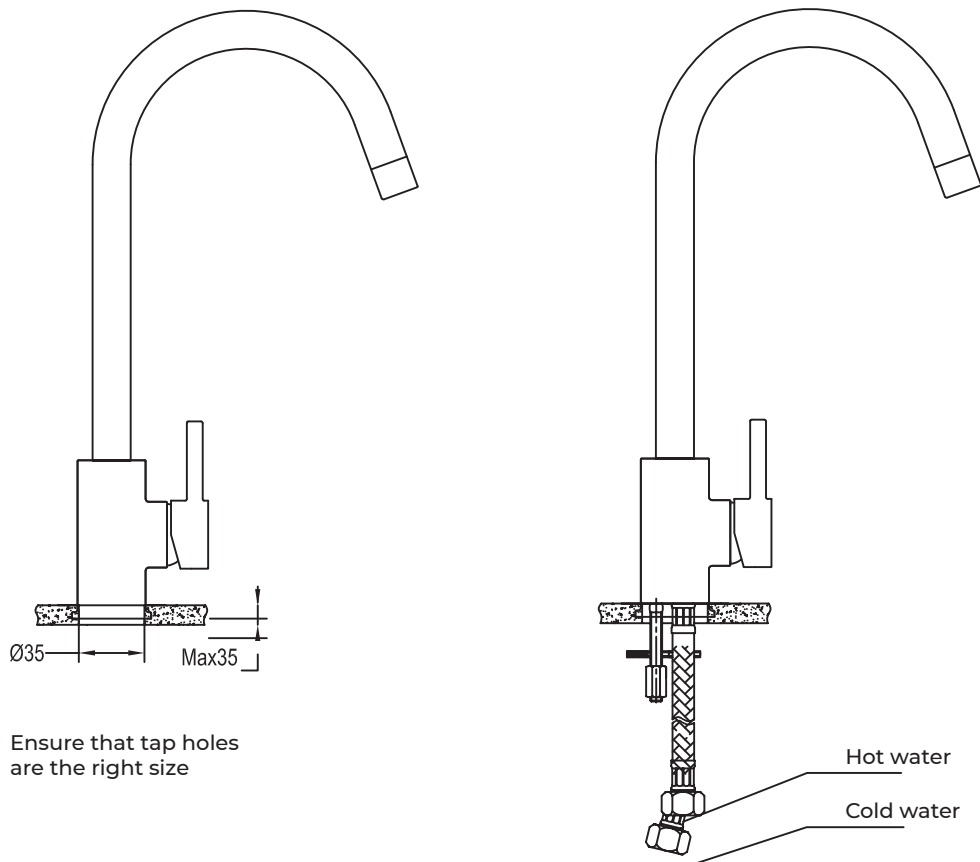
Maximum pressure **1 MPa**

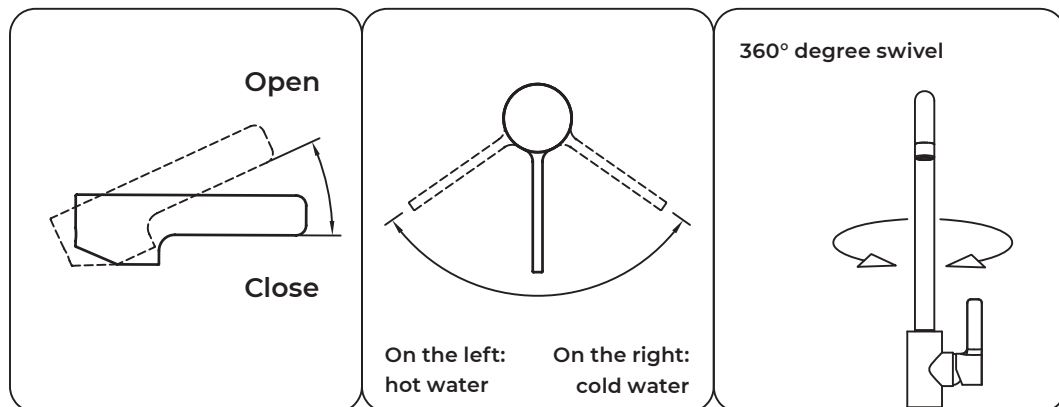
Recommended pressure **0,1 - 0,5 MPa**

Maximum temperature of hot water **90°C**

Recommended temperature of hot water **65°C**

Check whether the installation of hot and cold water was done correctly.





Operation

To start the water flow and fluently adjust its rate, turn the handle vertically upwards. To increase water temperature, turn the handle left, and to reduce – turn the handle right. Positioning the handle on the extreme left results in the flow of hot water only, while placing it on the extreme right – the flow of cold water only. Spout swivels 360° degrees

* The tap has a pressure function switch – aerated flow/spray.

Care and maintenance

Flush with clean water and wipe with a dry, soft cloth.

For heavier deposits, it is recommended to use special tap cleaning agents, preferably professional Oltens products from the NanoCare and NanoShine series. Never use agents containing alcohol, disinfectants, solvents and strong bases.

Never clean the surface of the tap with rough cloths or cleaning agents containing abrasive materials and acids. If needed, remove and clean the aerator.

